

MENUMASTER[®] Commercial

Project #: _____

Item #: _____



Model JET519V2 shown

High Speed Combination Oven Menumaster[®] Commercial Jetwave™ Model JET519V2

Power Output

- Convection:
 - 2700 W
 - 65° -250° C (150° - 475° F) temperature range
 - Convected air for enhanced toasting and browning
- Microwave:
 - 1900 W
 - Heats quickly, reduces cooking time

Cuts Costs

- No need for costly ventilation hood - catalytic convertor filters grease and odors from the air. Integrated recirculating catalytic converter.
- Uses less energy than a conventional oven.
- Eliminates need for pre-cooking and holding.
- Uses quarter size metal trays, pans and screens.

Simplifies Cooking

- Touch pad operation for consistent results.
- Controls are intuitive and simple to use.
- Stores up to 100 menu items.
- Four stage cooking option.
- USB Port compatible with standard flash drives, updates programming in seconds.
- 34 liter (1.2 cubic ft.) oven capacity.
- Door opens 90°+ for full access to the oven cavity.
- 2 rack positions and 1 removable rack for optimal and consistent cooking results.

Easy to Use and Maintain

- Braille touch pads are ADA compliant.
- Stainless steel door and interior.
- Removable, cleanable air filter and clean filter reminder protect oven components.

Heavy Volume | Combination Cooking

This category of combination oven is ideal for...

Application:

- Wine bars
- Pubs
- Kiosks
- Supermarkets
- Country club,
- Bakery/café's
- Convenience stores

Location of oven(s):

- Kitchen shelf
- Kitchen countertop, single or stacked
- Equipment stand, single or stacked

All ACP, Inc. commercial ovens are backed by our Culinary Center. Call us with any question regarding food preparation, menu development and cooking times. 866-426-2621.



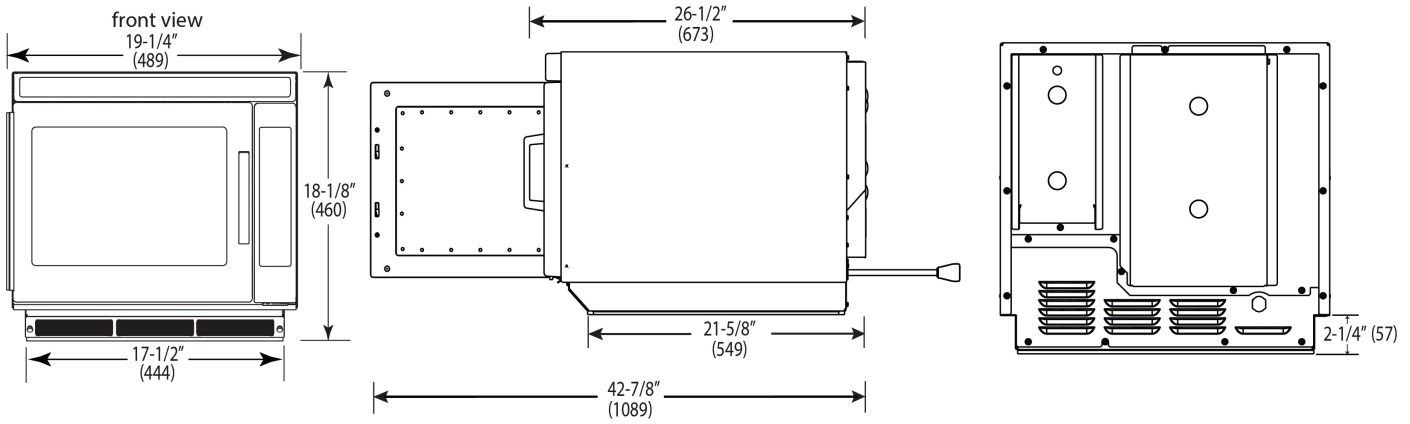
A/A File #:

Specification #:



©2014 ACP, Inc.
Cedar Rapids, Iowa 52404


MenuMaster® Commercial Jetwave™ Model JET519V2 | High Speed Combination Oven



Installation clearance: 7" for top of oven
2" for all other sides

Drawings available from
KCL CADlog - techs@kclcad.com

Specification #:

Specifications			
Model	JET519V2	UPC Code 728028244779	
Cooking Power*	2700W	1900W	
	Convection	Microwave	
Configuration	Countertop		
Control System	Touch		
Programmable Control Pads	10		
Braille	Yes		
Total Programmable Settings	100		
Power Levels	11		
Max. Cooking Time	16:00		
Stackable	Yes		
Time Entry Option	Yes		
Microwave Distribution	Rotating antennas, top		
Magnetrons	2		
Display	LED-backlit LCD		
Stage Cooking	Yes, 4		
Door Opening	Grab & Go		
USB Port	Yes		
Temperature Range	65° - 250°C (150° - 475°F)		
Air Filter	Yes, removable, with clean filter reminder		
Rack	2 rack positions, 1 removable rack		
Exterior Dimensions	H 460 (18 1/8")	W 489 (19 1/4")	D** 673 (26 1/2")
Cavity Dimensions	H 267 (10 1/2")	W 330 (13")	D 381 (15")
Door Depth	994 (39 1/8"), 90°+ door open		
Usable Cavity Space	1.2 cubic ft. (34 liter)		
Exterior Finish	Powder Coat		
Interior Finish	Stainless steel		
Power Consumption	3100 W, 14 A		
Power Output*	1900 W* Microwave		
Power Source	230 V, 50 Hz, 16 A single phase		
Plug Configuration / Cord	CEE 7/7	1.5 m (5 ft.)	
	"Schuko"		
Frequency	2450 MHz		
Product Weight	50 kg. (110 lbs.)		
Ship weight (approx.)	52 kg. (115 lbs.)		
Shipping Carton Size	H 546 (21 1/2")	W 540 (21 1/4")	D 756 (29 3/4")

Specifications

Oven shall combine two cooking modes: convection and microwave for high speed cooking. Control panel shall be programmable with the ability to program up to 100 menu items, single or double digit entry. Programs shall be automatically updated using a USB Port that is compatible with standard USB flash drives. There shall be 11 power levels and 4 cooking stages. Microwave output shall be 1900 watts and distributed from the top of the cavity. The 2700 watt convection oven shall provide a temperature range from 65° - 250°C (150° - 475°F) in 5° increments. The convection fan located in the back of the cavity shall distribute the heat throughout the cavity to further enhance browning. Maximum microwave cooking time shall be 16 minutes. Oven shall have a powder coat exterior. 34 liter (1.2 cubic ft.) oven cavity shall be stainless steel construction with stainless oven door. Interior shall have 2 rack positions and 1 removable rack. Air filter shall be easily accessible and removable from the front of the oven and have a "clean filter" reminder feature. Oven shall be stackable. Microwave oven shall comply with standards set by the U.S Department of Health and Human Services, and ETL listed for safety and sanitation.

Optional Accessories

- Pizza stone
- Drip tray
- Oven paddle

Warranty

Warranty Certificate for this product can be found on the ACP, Inc. website at:

www.acpsolutions.com/warranty



AIA File #:

Measurements are in inches
* IEC 60705 Tested ** Includes handle

Part No. 20154120
Updated 11/10/2015
Original Instructions



©2014 ACP, Inc.
Cedar Rapids, Iowa 52404