

MENUMASTER[®] Commercial

Project #: _____

Item #: _____



Note: Preliminary image and may not reflect final production exactly. Model JET514U shown

4 times faster than conventional ovens.

Heavy Volume | Combination Cooking

This category of combination oven is ideal for...

Application:

- Wine bars
- Pubs
- Kiosks
- Supermarkets
- Country club,
- Bakery/cafés
- Convenience stores

Through put potential:

- 6" Inch toasted sub sandwiches, 50 per hour
- 1 portion of 4 frozen crispy chicken wings, 25 portions (84 wings) per hour
- 1 frozen pre-baked fruit filled pastry, 20 per hour
- 12" frozen pizza, 10 per hour
- 1 frozen, pre-baked fruit filled pastry, 20 per hour

Location of oven(s):

- Kitchen shelf
- Kitchen countertop, single or stacked
- Equipment stand, single or stacked

All ACP, Inc. commercial ovens are backed by our Culinary Center. Call us with any question regarding food preparation, menu development and cooking times. 866-426-2621.



High Speed Combination Oven Menumaster[®] Commercial Jetwave[™]

Power Output

- Convection:
 - 2700 W
 - 65°-250° C (150°- 475° F) temperature range
 - Convected air for enhanced toasting and browning
- Microwave:
 - 1400 W
 - Heats quickly, reduces cooking time

Cuts Costs

- Uses less energy than a conventional oven.
- Eliminates need for pre-cooking and holding.
- Uses quarter size metal trays, pans and screens.

Simplifies Cooking

- Touch pad operation for consistent results.
- Controls are intuitive and simple to use.
- Stores up to 100 menu items.
- Four stage cooking option.
- USB Port compatible with standard flash drives, updates programming in seconds.
- 34 liter (1.2 cubic ft.) oven capacity.
- Door opens 90°+ for full access to the oven cavity.
- Single rack position for optimal and consistent cooking results.

Easy to Use and Maintain

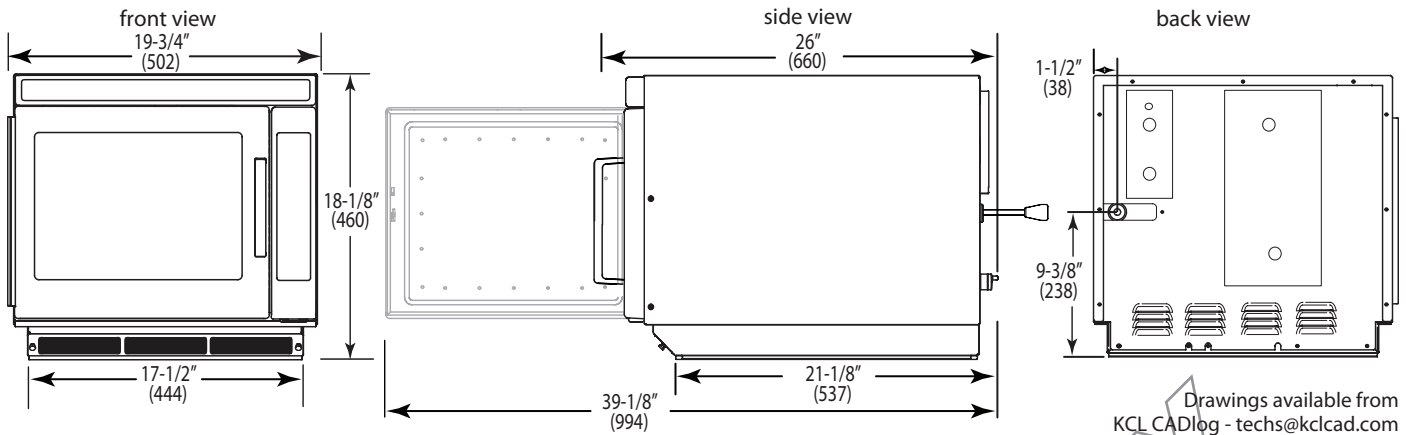
- Stainless steel door and interior.
- Removable, cleanable air filter and clean filter reminder protect oven components.
- Backed by the ACP, Inc. 24/7 ComServ Support Center 866-426-2621.
- ETL awaiting approval.

A/A File #:

Specification #:



MenuMaster® Commercial Jetwave™ | High Speed Combination Oven



Specification #:

| Specifications | | | |
|-----------------------------|--|-----------------|-----------------|
| Model | JET514U | UPC Code TBD | |
| Cooking Power* | 2700W | 1400W | |
| | Convection | Microwave | |
| Configuration | Countertop | | |
| Control System | Touch | | |
| Programmable Control Pads | 10 | | |
| Total Programmable Settings | 100 | | |
| Power Levels | 11 | | |
| Max. Cooking Time | 20:00 | | |
| Stackable | Yes | | |
| Time Entry Option | Yes | | |
| Microwave Distribution | Rotating antennas, top | | |
| Magnetrons | 2 | | |
| Display | LED-backlit LCD | | |
| Stage Cooking | Yes, 4 | | |
| Door Opening | Grab & Go | | |
| Automatic Voltage Sensor | Yes | | |
| USB Port | Yes | | |
| Temperature Range | 70° - 250°C (150° - 475°F) | | |
| Air Filter | Yes, removable, with clean filter reminder | | |
| Rack | 1 rack position, removable | | |
| Exterior Dimensions | H 460 (18 1/8") | W 502 (19 3/4") | D** 660 (26") |
| Cavity Dimensions | H 267 (10 1/2") | W 330 (13") | D 381 (15") |
| Door Depth | 994 (39 1/8"), 90°+ door open | | |
| Usable Cavity Space | 34 liter (1.2 cubic ft.) | | |
| Exterior Finish | Powder coat painted | | |
| Interior Finish | Stainless steel | | |
| Power Consumption | 30000 W | | |
| Power Output* | 1400 W* Microwave | | |
| Power Source | 230 V, 50 Hz, 13 A single phase | | |
| Plug Configuration / Cord | BS 1363A | 1.5 m (5 ft.) | |
| Frequency | 2450 MHz | | |
| Product Weight | 43 kg. (95 lbs.) | | |
| Ship weight (approx.) | 46 kg. (102 lbs.) | | |
| Shipping Carton Size | H 718 (28 1/4") | W 553 (21 3/4") | D 546 (21 1/2") |

Specifications

Oven shall combine two cooking modes: convection and microwave for high speed cooking. Control panel shall be programmable with the ability to program up to 100 menu items, single or double digit entry. Programs shall be automatically updated using a USB Port that is compatible with standard USB flash drives. There shall be 11 power levels and 4 cooking stages. Microwave output shall be 1400 watts and distributed from the top of the cavity. An automatic voltage sensor shall accommodate both 208 and 240 volts. The 2700 watt convection oven shall provide a temperature range from 70° - 250° C (150° - 475° F) in 25° increments. The convection fan located in the back of the cavity shall distribute the heat throughout the cavity to further enhance browning. Maximum microwave cooking time shall be 20 minutes. Oven shall have a powder coat exterior. 34 liter (1.2 cubic ft.) oven cavity shall be stainless steel construction with stainless oven door. Interior shall have 1 rack position. Air filter shall be easily accessible and removable from the front of the oven and have a "clean filter" reminder feature. Oven shall be stackable. Microwave oven shall comply with standards set by the U.S Department of Health and Human Services, and ETL awaiting approval.

Optional Accessories

- Pizza stone
- Drip tray
- Oven paddle

Warranty

Warranty Certificate for this product can be found on the ACP, Inc. website at:

www.acpsolutions.com/warranty



Service

All products are backed by the ACP, Inc. 24/7 ComServ Support Center.



AIA File #:

Measurements in () are millimeters
* IEC 60705 Tested ** Includes handle

