

Amana® Commercial

Project #: _____

Item #: _____



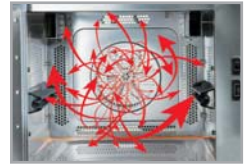
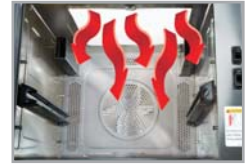
Model ACE14 shown

Heavy Volume | Combination Cooking

Amana Commercial Oven Model ACE14

Power Output

- Convection:
 - 2700 W
 - 150° - 475° F (65° - 250° C) temperature range
 - Convected air for enhanced toasting and browning
- Microwave:
 - 1400 W
 - Heats quickly, reduces cooking time



Cuts Costs

- Uses less energy than a conventional oven.
- Eliminates need for pre-cooking and holding.
- Uses quarter size metal trays, pans and screens.

Simplifies Cooking

- Touch pad operation for consistent results.
- Controls are intuitive and simple to use.
- Stores up to 100 menu items.
- Four stage cooking option.
- EZCard Menu Management System updates programming in seconds.
- 1.2 cubic ft. (.034 m³) oven capacity.
- Door opens 90°+ for full access to the oven cavity.



Easy to Use and Maintain

- Stainless steel exterior and interior.
- Removable, cleanable air filter and clean filter reminder protect oven components.
- Limited 3 year warranty.
- Backed by the ACP, Inc. 24/7 ComServ Support Center 866-426-2621.
- ETL Listed.



4 times faster than conventional ovens.

Heavy Volume | Combination Cooking

This category of combination oven is ideal for...

Application:

- Wine bars
- Pubs
- Kiosks
- Supermarkets
- Country club,
- Bakery/cafés
- Convenience stores

Through put potential:

- 6" Inch toasted sub sandwiches, 50 per hour
- 1 portion of 4 frozen crispy chicken wings, 25 portions (84 wings) per hour
- 1 frozen pre-baked fruit filled pastry, 20 per hour
- 12" frozen pizza, 10 per hour
- 1 frozen, pre-baked fruit filled pastry, 20 per hour

Location of oven(s):

- Kitchen shelf
- Kitchen countertop, single or stacked
- Equipment stand, single or stacked



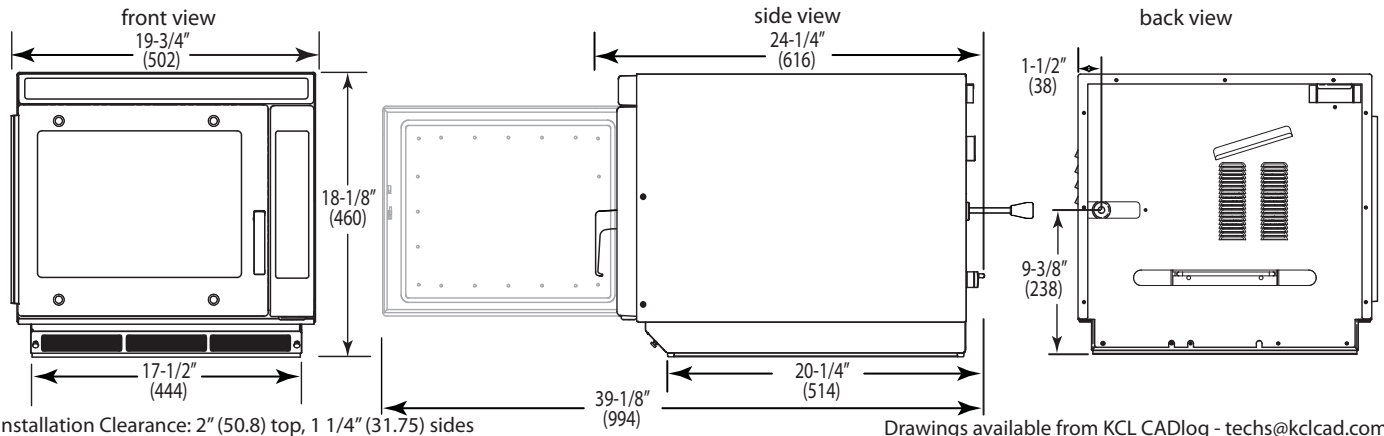
All ACP, Inc. commercial ovens are backed by our Culinary Center. Call us with any question regarding food preparation, menu development and cooking times. 866-426-2621.

A/A File #:


Specification #:



Amana Commercial Microwave Model ACE14 Heavy Volume | Combination Cooking



Specifications

Model	ACE14	UPC Code 883049125343
Cooking Power*	2700W	1400W
	Convection	Microwave
Configuration	Countertop	
Control System	Touch	
Programmable Control Pads	10	
Total Programmable Settings	100	
Power Levels	11	
Max. Cooking Time	20:00	
Stackable	Yes	
Time Entry Option	Yes	
Microwave Distribution	Rotating antenna, top	
Magnetrons	1	
Display	LED	
Stage Cooking	Yes, 4	
Door Opening	Lift and pull handle	
Automatic Voltage Sensor	Yes	
EZ Card Menu Management	Yes	
Temperature Range	150° - 475° F (70° - 250° C)	
Air Filter	Yes, removable, with clean filter reminder	
Fan Speed	0-100%	
Rack	3 rack positions, removable	
Exterior Dimensions	H 18 1/8" (460)	W 19 3/4" (502) D** 24 1/4" (616)
Cavity Dimensions	H 10 1/2" (267)	W 13" (330) D 15" (381)
Door Depth	40" (1016), 90°+ door open	
Usable Cavity Space	1.2 cubic ft. (.034 m ³)	
Exterior Finish	Stainless steel	
Interior Finish	Stainless steel	
Power Consumption	3200 W, 15.4 A	
Power Output*	1400 W* Microwave	
Power Source	208 - 240 V, 60 Hz, 20 A single phase	
Plug Configuration / Cord	NEMA 6-20	5 ft. (1.5 m) 
Frequency	2450 MHz	
Product Weight	95 lbs. (43 kg.)	
Ship weight (approx.)	102 lbs. (46 kg.)	
Shipping Carton Size	H 28 1/4" (718)	W 21 3/4" (553) D 21 1/2" (546)

Specifications

Oven shall combine two cooking modes: convection and microwave for high speed cooking. Control panel shall be programmable with the ability to program up to 100 menu items, single or double digit entry. Programs shall be automatically updated with the use of a memory card system. There shall be 11 power levels and 4 cooking stages. Microwave output shall be 1400 watts and distributed from the top of the cavity. An automatic voltage sensor shall accommodate both 208 and 240 volts. The 2700 watt convection oven shall provide a temperature range from 150° - 475° F (70° - 250° C) in 25° increments. The convection fan located in the back of the cavity shall distribute the heat throughout the cavity to further enhance browning. Maximum microwave cooking time shall be 20 minutes. Oven shall have a stainless steel exterior. 1.2 cubic ft. (.034 m³) oven cavity shall be stainless steel construction with stainless oven door. Bottom of cavity shall be ceramic plate with a high temperature, cleanable seal. Interior shall have 3 rack positions. Air filter shall be easily accessible and removable from the front of the oven and have a "clean filter" reminder feature. Oven shall be stackable. Microwave oven shall comply with standards set by the U.S Department of Health and Human Services, and ETL for safety and sanitation.



Optional Accessories

- Pizza stone
- Drip tray
- Oven paddle

Warranty

Limited 3 year warranty:
 Year 1 - parts, labor, and travel are covered.
 Years 2 - 3 - magnetron tube (part only) is covered.

Service

All products are backed by the ACP, Inc. 24/7 ComServ Support Center.



Specification #:

AIA File #:

Measurements in () are millimeters
 * IEC 60705 Tested ** Includes handle

