



CG 290 110F
 Glass ceramic
 Width 90 cm
 Liquid gas 28 - 37 mbar
 CG 290 210
 Glass ceramic
 Width 90 cm
 Natural gas 20 mbar

Special accessories

WP 400 001
 Wok pan made of multiple-layer material
 With round bottom and handle, ø 36 cm, 6 litres, height 10 cm.

Gas cooktop
CG 290

- For flush or conventional installation
- Three-ring burner with 5600 W

Cooking zones

1 wok burner with 3 separately adjustable flame rings (180 - 5600 W), suitable for pots up to max. ø 32 cm.
 1 high output burner (590 - 2800 W), suitable for pots up to max. ø 26 cm.
 2 standard burners (370 - 1900 W), suitable for pots up to max. ø 20 cm.
 1 economy burner (310 - 1100 W), suitable for pots up to max. ø 14 cm.

Handling

Control knobs with cooking zone and output level markings.
 One-handed operation.
 Electric ignition.

Features

Three-part cast pan support with continuous pot surface.
 Enamelled burner cover.

Safety

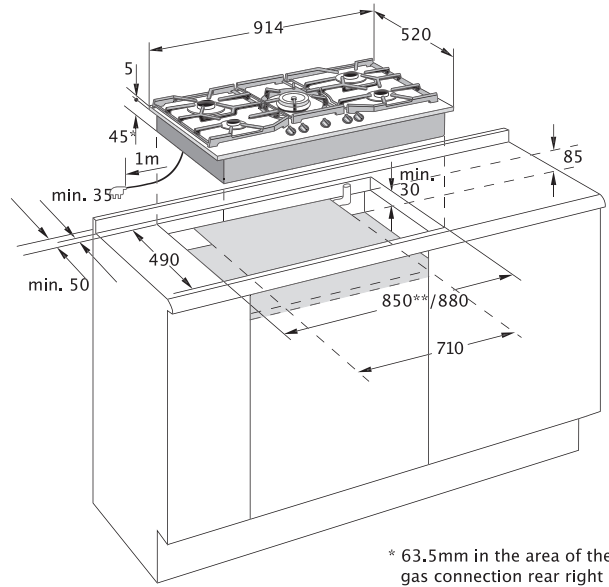
Thermoelectric safety pilot.

Planning notes

The cooktop can be conventionally built into worktops or flush integrated into stone worktops.
 Special nozzles can be ordered as spare parts.
 Installation in a 85 cm niche or a 88 cm niche with the included spacers.
 Air intake from above.
 Intermediate shelf is required.
 Appliance must be fixed from underneath.
 A minimum clearance of at least 150 mm from adjacent heat-sensitive furniture or contact surfaces must be observed or thermal insulation fitted.
 Cooktop clamping range: 30 - 50 mm.
 An air extraction hood must be switched on during operation of the gas cooktop.

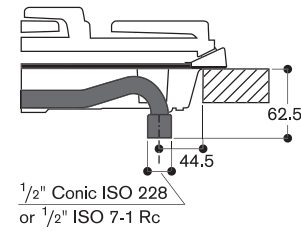
Connection

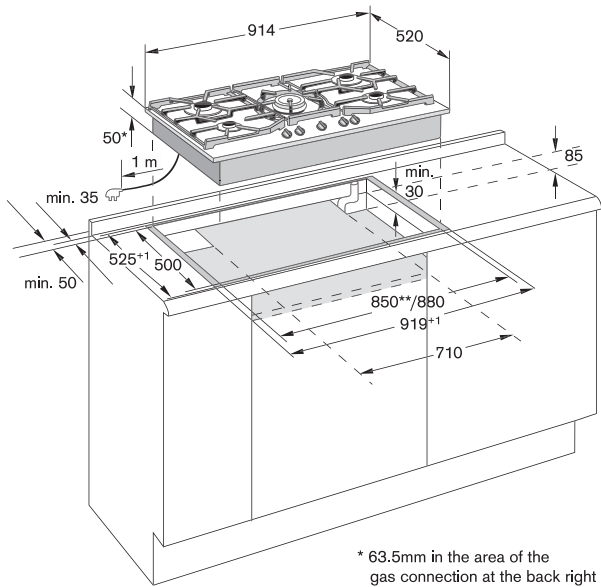
Total connected load gas 13.3 kW.
 Total connected load electric 0.6 W.
 Connecting cable 1.0 m with plug.



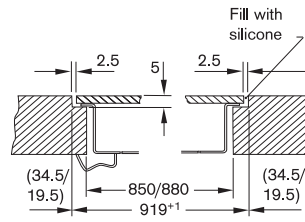
* 63.5mm in the area of the gas connection rear right

Gas connection fitted conventionally

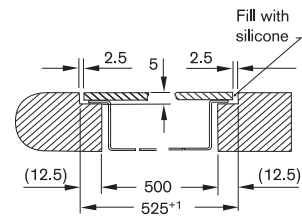




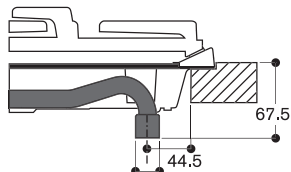
Longitudinal section



Cross-section



Gas connection fitted flush



1/2" Conic ISO 228
or 1/2" ISO 7-1 Rc

View from above

