



CE 490 112
Stainless steel frame
Width 90 cm

Included in the price
1 glass scraper



Glass ceramic cooktop CE 490

- Sturdy stainless steel frame
- Twist-Pad control with removable magnetic knob

Cooking zones

1 Super-Quick cooking zone
ø 18 cm (1500 W), converts to
ø 23 cm (2400 W) cooking zone.
1 Super-Quick cooking zone
ø 12 cm (800 W), converts to
ø 18 cm (2000 W) cooking zone.
2 Super-Quick cooking zones
ø 14.5 cm (1200 W).

Handling

Twist-Pad control with removable
magnetic knob.
Cooking zone marking.
Electronic power control in 17 output
levels.

Features

Quick boil timer, with individually
adjustable boiling time.
Cooking timer for up to 90 minutes.
Short-term timer.
Memory function.
Options menu.

Safety

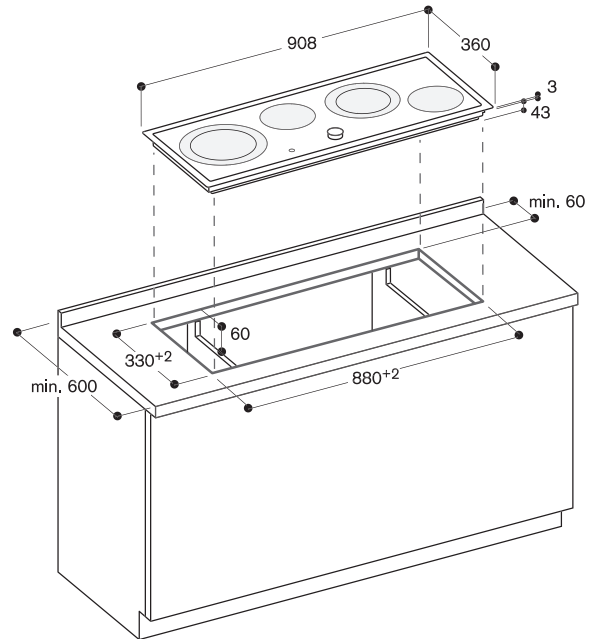
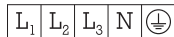
Main switch.
Operation indicator.
Individual residual heat indicators.
Child lock.
Safety lock.

Planning notes

Appliance depth 43 mm, depth at plug
socket 60 mm.
Under the appliance, a 10 mm
clearance must be observed from side
panels or intermediate shelf must be
planned.
The cooktop must be freely accessible
from underneath to be able to detach
the cooktop's base in a downward
direction.
Installation possible in a 60 cm wide
lower cabinet.
Appliance must be fixed from
underneath.
Cooktop clamping range: 20 - 50 mm.

Connection

Total connected load 6.8 kW.
Plan a connecting cable.



Total depth in the area of the electric connection housing 60mm