



Right-hinged

BO 210 110

Stainless steel-coloured
full glass door
Width 60 cm

BO 210 130

Aluminium-coloured
full glass door
Width 60 cm

Left-hinged

BO 211 110

Stainless steel-coloured
full glass door
Width 60 cm

BO 211 130

Aluminium-coloured
full glass door
Width 60 cm

Included in the price

- 1 baking tray, enamelled
- 1 glass tray
- 1 wire rack

Special accessories

BA 036 100

Wire rack, chromium-plated
Without opening, with feet.

BA 046 113

Glass tray
25 mm deep.

BA 056 113

Heating element for baking stone

BA 056 130

Baking stone
Incl. baking stone support and pizza
paddle (heating element must be
ordered separately).

BA 216 100

Quadruple telescopic pull-out rack

BA 226 100

Grill tray, enamelled

37 mm deep.

BA 226 110

Baking tray, enamelled

29 mm deep.

BS 020 002

Pizza paddle, set of 2

Oven 200 series

BO 210/BO 211

- 9 heating methods, with baking stone function
- Electronic temperature control from 50 °C to 300 °C
- 76 litres net volume: the biggest oven of its class
- Energy efficiency class A

Handling

LCD function display with digital clock.
Timer functions: cooking time, switch off time, short-term timer, stop watch. Settings menu.
Rotary knob and touch key operation.

Features

Baking stone socket.
Removable grill heating element.
60 W halogen light on the top.
Chromium-plated wire racks on the side with 4 rack levels.
Side-opening door opens up to 180° angle.

Safety

Child lock.
Safety lock.
Cooled housing with temperature protection.

Cleaning

Gaggenau enamel.
Heated air cleaning catalyst.

Planning notes

Please read the installation details regarding air ducting on page 14/15.

Door hinge not reversible.

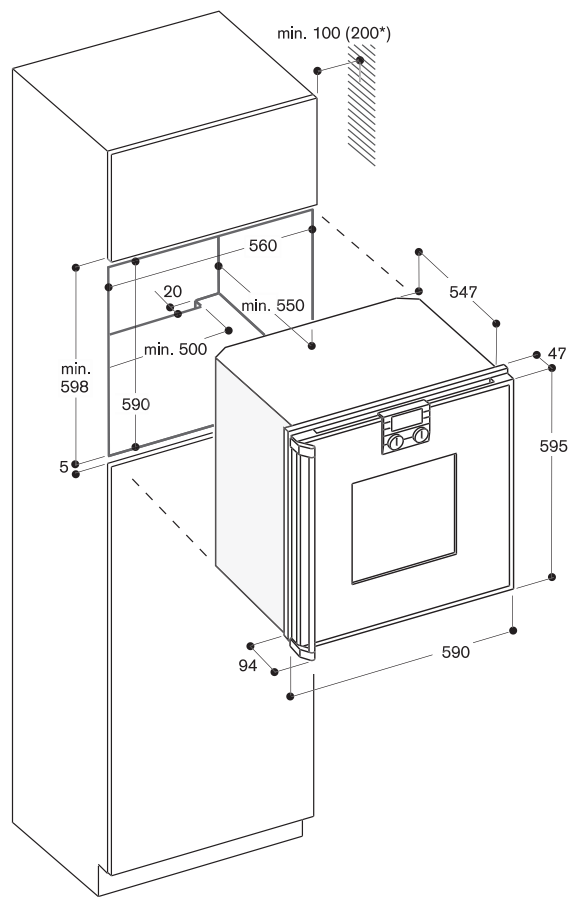
The façade of the appliance extends 47 mm from the furniture cavity.
The outer edge of the door handle extends 94 mm from the furniture cavity.

Consider the overhang, incl. the door handle, when planning to open drawers next to the appliance.
Plan a gap of at least 5 mm between the appliance and adjacent cabinets.
When planning a corner solution, pay attention to the 90° door opening angle.

To achieve the 550 mm installation depth, the connecting cable needs to follow the slanted edge on the lower right hand corner of the housing.
The mains socket needs to be planned outside of the niche.

Connection

Energy efficiency class A.
Total connected load 3.7 kW.
Plan a connecting cable.



*200mm in conjunction with BA 016 103 (see page 15)

Planning notes for the installation of ovens and oven combinations

General notes

Necessary air cross section at the door edges

Applies to BO/BX/BS/BF/WS/CM

Installation behind kitchen furniture doors

Appropriate measures must be taken to prevent these types of doors from closing when the appliance is heating or while it is cooling down (fan operation).

Combination of ovens and Vario cooling 400 series appliances

Please check the planning notes in the information for Vario cooling 400 series appliances in order to prevent the refrigerator door from colliding with the oven handle.

Installation side by side

When appliances are installed side by side, the clearance between the appliances must be at least 10 mm (corresponds to the standard outside measurement of the furniture cavity of 600 or 762 mm). For best possible door opening, the handles should be positioned in the middle (i.e. opposite each other).

Gaggenau 200 series ovens are supplied with fresh air for cooling at the top edge and side edges of the door. Hot air is blown out at the door bottom edge. Combi-steam ovens and steam ovens have the air inlet at the side edges of the door and the hot air and steam outlets at the top edge of the door. In order to prevent appliances from overheating and to ensure that they cool down as required after operation, appropriate minimum cross sections of free space must be maintained from kitchen furniture edges.

The measurements given in the drawing apply to all appliances. The following should also be checked:

The area above the appliances

BS:

Where an edge of a kitchen unit protrudes more than 20 mm in front of the edge of the furniture cavity, the edge of the kitchen furniture panel must be steam resistant as is the case above a dishwasher. Steam may possibly penetrate into the shelf compartment.

BF:

A minimum distance of 5 mm must be maintained because of the direction of movement of the lift door.

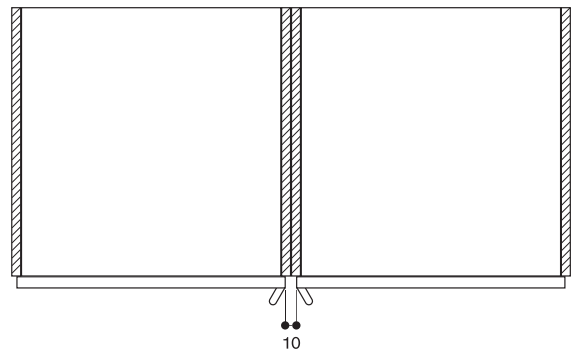
The maximum thickness of kitchen furniture door is 47 mm in front of the edge of the furniture cavity in order to ensure that the lift door can be opened.

The area below the appliances

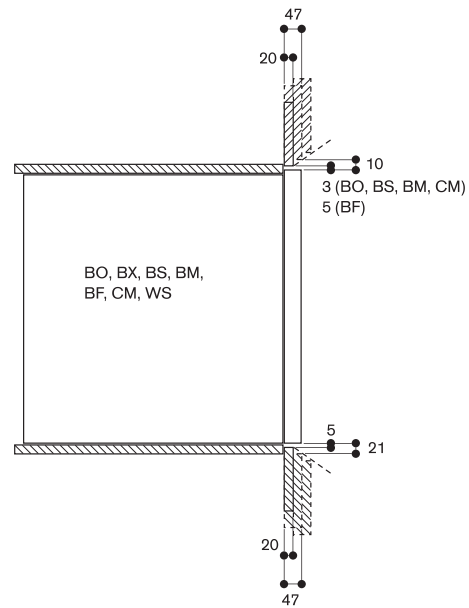
WS:

When the warming drawer is operated without handles, care must be taken to ensure that there is sufficient access to the lower edge of the appliance if the thickness of the kitchen furniture door is greater than 20 mm in front of the furniture cavity.

Installation side by side



Air cross section at the door edges above/below

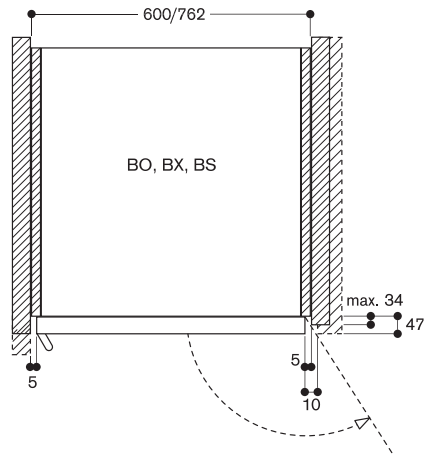


At the sides

In cases where kitchen furniture door thicknesses are greater or where sidewalls protrude up to 34 mm from front of the edge of the furniture cavity, the minimum distance on the hinge side is sufficient for the air supply and a door opening angle of 120°. Above that, a distance of 10 mm or even more is required.

The handle side may, if required, be covered by a side panel provided that the minimum distance is maintained.

Air cross section at the door edges



Installation in corners

Door clearance at the sides

When the pull-out drawer is used with the cast roaster (in preparation), a larger door opening angle of 200 mm is required.

For all other situations, 100 mm is recommended. Where there are smaller side clearances down to a minimum of 50 mm, restrictions in handling hot baking trays should be expected and the user-friendliness of the side-opening door can no longer be taken for granted.

Installation in corners

